

LASER X

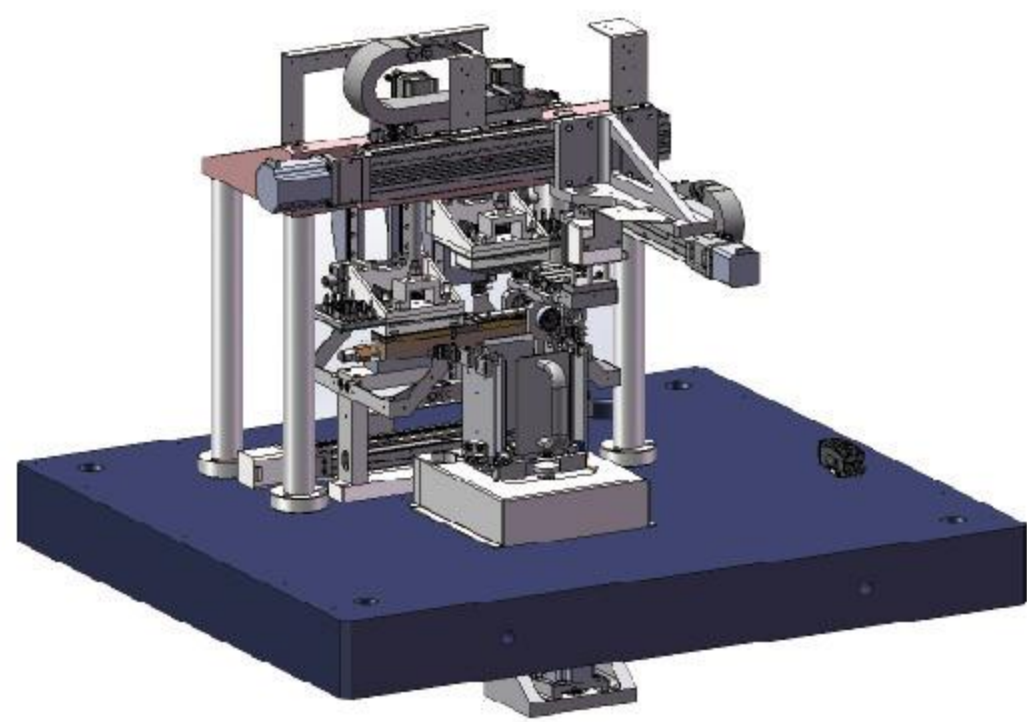


EML / DML COC Tester

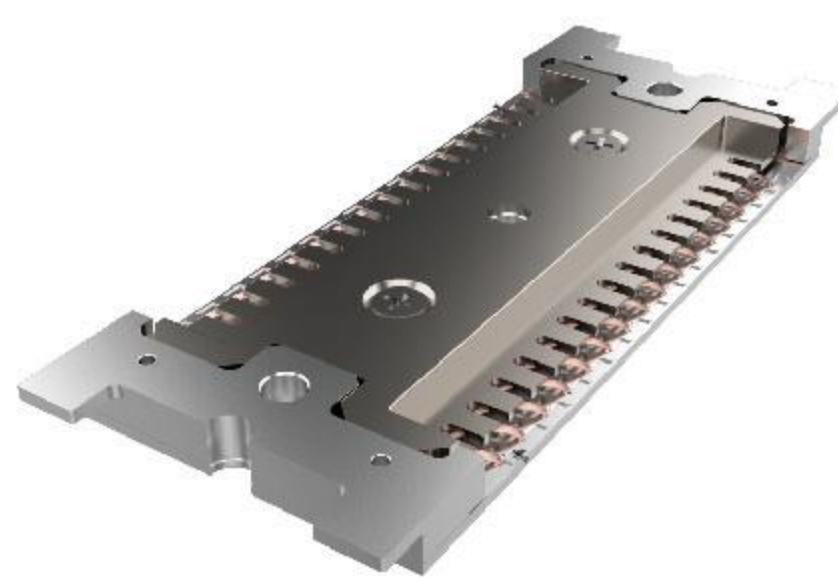
Product Features

- Automatic magazine loading, 20-COC fish bone fixtures, accomodating a total of 640 COC
- Dual platform design, save load/unload and pre-heat time
- LIV and spectrum test
- The 32-COC fixture is suitable for both burn in machine and wire bonder
- TEC temperature control (20~100°C) to meet the temperature accuracy and stability
- Support the backlight optical power test

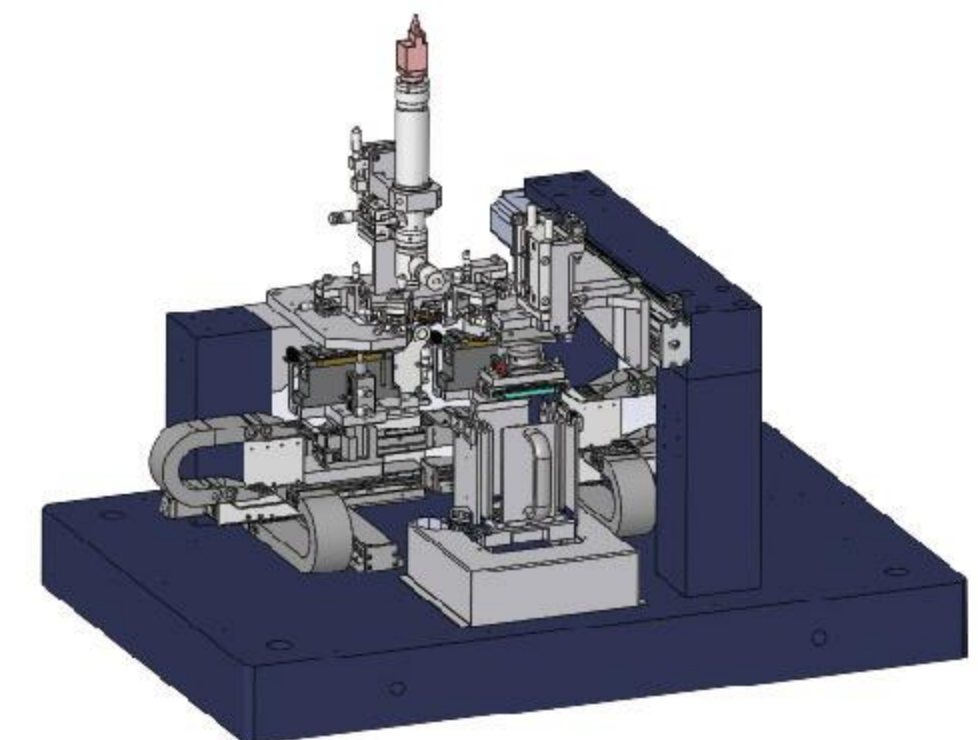
CT-1101



COC fish bone fixture



CT-3102



- Support parallel testing on both sides of the fixture
- Suitable for mass production
- 4-wire probes can be adjusted independently
- Suitable for various COC substrate and application scenarios

Performance Parameter

Class	Project	Metric
PIV	Current range	0~500mA
	Current accuracy	0.2%+100uA
	Step size	10uA
	Sweep time	< 4 ms/point
Optical spectrum	Optical coupling time	Single-mode fiber is < 8s Multimode fiber is < 1s
	Optical power coupled	> - 20dBm(lens + multimode fiber)
	Wavelength repeatability	±0.1nm
	Test time	< 2s
Temperature	Control	By TEC
	Range	20~100°C
	Uniformity	±1°C
	Stability	±0.5°C